



119D49EN

**AUTOMATION
FOR SWING GATES**

Official Partner



MILANO 2015
FEEDING THE PLANET
ENERGY FOR LIFE



INSTALLATION MANUAL

A 3000/3006/3100/3106

A 5000/5006/5100/5106



English

EN

WARNING!
important safety instructions:
READ CAREFULLY!



Introduction

- Use this product only for the specific purpose for which it is designed. Any other use is therefore improper and dangerous. CAME Cancelli Automatici S.p.A. is not liable for any damage due to improper, erroneous and unreasonable use
- Keep these warnings together with the installation and users' manual for the automation system.

Before installing

(Check what's there: if you find something wrong, proceed only after correcting the problem so the equipment is safe to use)

- Check that the part you want to automate is in good mechanical condition, that it is balanced and aligned, and that it opens and closes properly. Make sure you have suitable mechanical stops
- If the operator will be installed less than 2.5 m from the floor or from any other access level, check whether you need additional protections and/ or warnings
- With pedestrian doors framed into the doors that will be automated, a system must be in place to block their opening during movement
- Make sure the opening of the automated door leaf does not cause any trapping situations involving any surrounding fixed parts
- Do not install the operator upside down or on any elements that may bend. If necessary, add suitable reinforcements at the fastening points
- Do not install on sloping ground (only install on flat ground)
- Check that any watering devices cannot wet the gearmotor from the bottom upwards.

Installation

- Properly signal and demarcate the entire site prevent any careless people from entering the works area
- Be careful when handling operators that weigh more than 20 kg (see installation manual. If such is the case, make sure you have proper hoisting equipment. All opening commands (buttons, key selectors, magnetic card readers, and so on) must be installed at least 1.85 M from the gate's area of movement, or so that they are unreachable from the outside. Moreover, the direct commands (from buttons, swipe cards, and so on) must be installed 1.5 m high off the ground and must not be reachable by the public
- All "hold-to-run" commands must be placed where the operating gate leaves and transit areas are completely visible.
- Apply a permanent label that shows the position of the release device
- Before turning over the installation to the user, check that the system conforms to standards EN 12453 and EN12445 (impact testing), making sure the device has been properly adjusted and that the safety and protection and release devices function properly
- Where necessary apply the Warning Signs so that they are clearly visible (e.g. the gate plate)

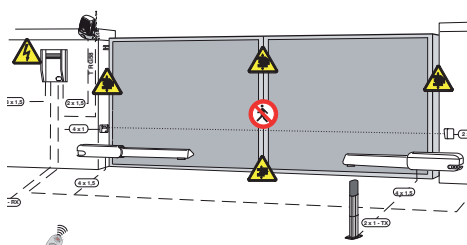
Instructions and special recommendations for users

- Keep the barrier's areas of operations unobstructed. Check that the photocells are free of any vegetation blocking them, and that there are no obstacles to the free movement of the operator. Do not allow children to play with the fixed command devices, or in the barrier's area of operation. Keep transmitters and any other command devices away from children, to prevent the operator from being activated by mistake
- Frequently check the system, to scan for any anomalies or wear and tear in the moving structures, the operator's components, all fastening points and devices, the cables and accessible connections. Keep any jointed parts like hinges lubricated and clean of debris and the guide-sleds free of any friction
- Perform functional checks to the photocells and sensitive edges every six months. To check that the photocells work properly, wave an object in front of them during closing; if the operator inverts its direction of travel or blocks movement, then the photocells are working properly. This is the only maintenance job that can be done to the gate when it is powered up. Ensure proper cleaning of the glass on the photocells (use a slightly damp cloth); do not use any solvents or other chemical products that may ruin the devices)
- Should any repairs or changes to the system settings be needed, release the operator and refrain from using it until safety conditions have been restored
- Cut the power off before releasing the operator for manual opening, to avoid any hazardous situations. Check instructions
- It is FORBIDDEN for users to perform ANY OPERATIONS THAT ARE NOT EXPRESSLY REQUESTED OF SAID USERS in the manuals. Any repairs, adjustments or extra-ordinary maintenance, EXCLUSIVELY CALL TECHNICAL

ASSISTANCE • Log any service jobs onto the periodic maintenance journal.

Special instructions and recommendations for everyone

- Keep away from the hinges and any moving mechanical parts
- Stay out of the operating range of the operator while it is moving
- Do not oppose the movement of the operator as this may result in danger
- Always be careful around the dangerous parts, which must be properly indicated with warning signs and black and yellow stripes
- When using a selector switch or a maintained-action mode command, keep checking that no persons come within the operating range of the moving parts, until the command is released
- The gate may move at any moment without warning. Always cut off the main electric power supply before performing any cleaning or maintenance.



Hand crushing hazard



Danger high voltage



Danger of crushing feet



No transit during operation

1 Legend of symbols



This symbol tells you what to say to the end-users.



This symbol tells you to read the section with particular care.



This symbol tells you that the sections concern safety issues.

2 Intended use and restrictions

2.1 Intended use

The ATI 230V gearmotor is designed to power residential and condominium swing gates.



Any use, other than that described above or installations performed in ways other than those described herein, are forbidden.

2.2 Restrictions

Gate leaf width m	Gate leaf weight kg	
	A3000-A3006-A3100-A3106	A5000-A5006-A5100-A5106
2.00	800	1000
2.50	600	800
3.00	400	600
4.00	/	500
5.00	/	400

With swing gates it is always advisable to install and electro-lock. This is to ensure a reliable closing and to protect the gearmotor's inner workings.

But whereas with reversible operators it is merely advisable, with irreversible ones, beyond 4 m, it is obligatory.

3 Reference Standards

For its quality processes management Came Cancelli Automatici is ISO 9001 certified, and for its environmental management it is ISO 14001 certified.

This product complies with the following standards: *see declaration of conformity*.

4 Description

4.1 Gearmotor

This product is engineered and built by CAME cancelli automatici S.p.A. in compliance with applicable safety standards.

The electro-lock fitted (A3000/A3006/A5000/A5006) irreversible or (A3100/A31006/A5100/5106) reversible gearmotor, is made up of two cast-aluminium half shells containing a gearmotor with epicycloid gearbox system.

A double, electromechanical limit-switch system is fitted above the gate-movement worm-screw

4.2 Technical features

Motor power supply: 230V A.C. 50/60Hz

Max draw.: 1,2A

Power: 150W

Opening time (90°):

A3000 / A3100 = 19 s

A3006 / A3106 = 28 s

A5000 / A5100 = 32 s

A5006 / A5106 = 45 s

Gear ratio: 1/36

Thrust: 400 ÷ 3000N

Duty cycle: 50%

Condenser: 10µF

Protection rating: IP44

Weight:

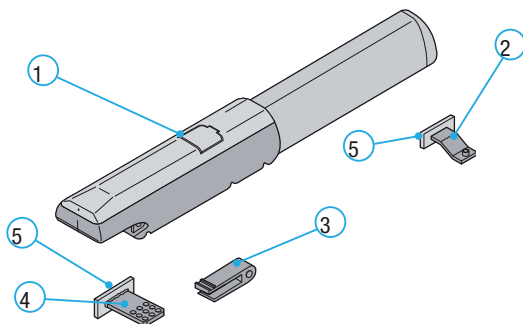
A3000 / A3100 / A3006 / A3106 = 10 kg

A5000 / A5100 / A5006 / A5106 = 11 kg



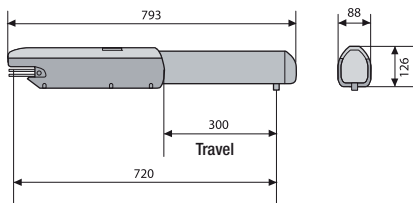
4.3 Description of parts

- 1) Gearmotor
- 2) Front bracket
- 3) Back swivel-joint
- 4) Back bracket
- 5) Anchoring plate

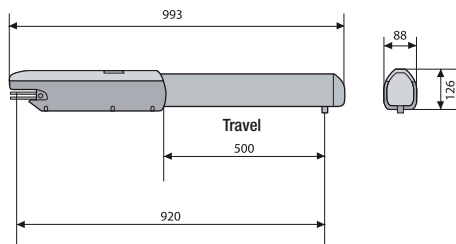


4.4 Overall dimensions

A 3000/3006/3100/3106



A 5000/5006/5100/5106

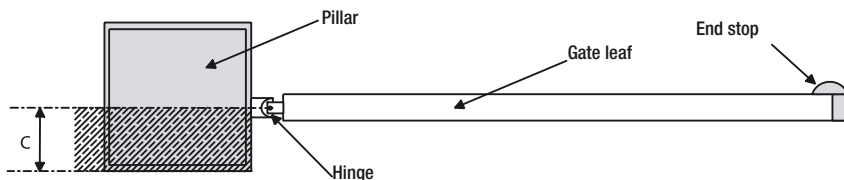


5 Installation

5.1 Preliminary checks

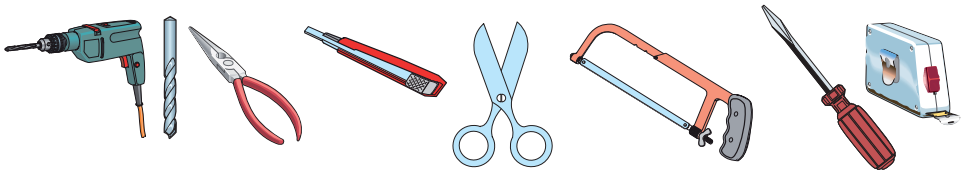
! Before installing, do the following:

- make sure the structure of the gate is sturdy, the hinges work and that there is no friction between moving parts and non-moving parts;
- measurement C cannot be greater than the value shown in Tab. 3, p. 5. In this case you need to work on the pillar until said measurement is obtained;
- the path of the electrical cables must comply with the command and safety instructions;
- there must be a soundly secured to the ground mechanical stop to prevent the gate leaf/gearmotor from over extending.
- \ominus Any connections inside the case (that provide continuance to the protective circuit) must be fitted with extra insulation as compared to the other conductive part inside;
- Make sure you have suitable tubing and conduits for the electrical cables to pass through and be protected against mechanical damage.



5.2 Tools and materials

Make sure you have all the tools and materials you will need for the installation at hand to work in total safety and compliance with the current standards and regulations.



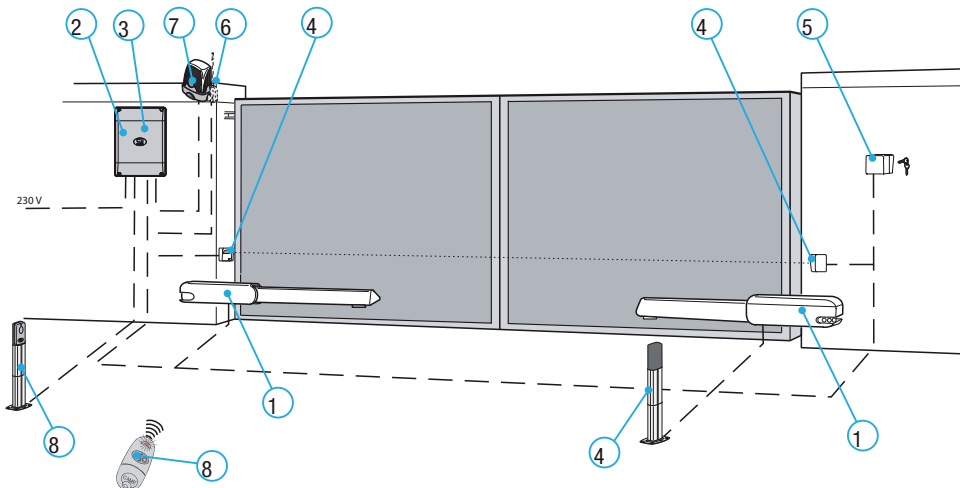
5.3 Cable list and minimum thickness

Connections	Type of cable	Length of cable 1 < 10 m	Length of cable 10 < 20 m	Length of cable 20 < 30 m
Control panel power supply 230V	FROR CEI 20-22 CEI EN 50267-2-1	3G x 1,5 mm ²	3G x 2,5 mm ²	3G x 4 mm ²
Motor power supply 230V		4G x 1 mm ²	4G x 1,5 mm ²	4G x 2,5 mm ²
Flashing light 24V		2 x 0,5 mm ²	2 x 1 mm ²	2 x 1,5 mm ²
Photocell transmitters		2 x 0,5 mm ²	2 x 0,5 mm ²	2 x 0,5 mm ²
Photocell receivers		4 x 0,5 mm ²	4 x 0,5 mm ²	4 x 0,5 mm ²
Accessories power supply 24V		2 x 0,5 mm ²	2 x 0,5 mm ²	2 x 1 mm ²
Control and safety devices		2 x 0,5 mm ²	2 x 0,5 mm ²	2 x 0,5 mm ²
Endpoints	3 x 0,5 mm ²	3 x 1 mm ²	3 x 1,5 mm ²	
Antenna connection	RG58	max. 10 m		

N.B.: The cable section, with different lengths from those shown on the table, must be considered on the basis the actual draw of the connected devices, according to what is prescribed in the CEI EN 60204-1 Code.

For connections that require varying loads on the same line (i.e. sequential), the table values should be reconsidered depending on the actual draws and distances.

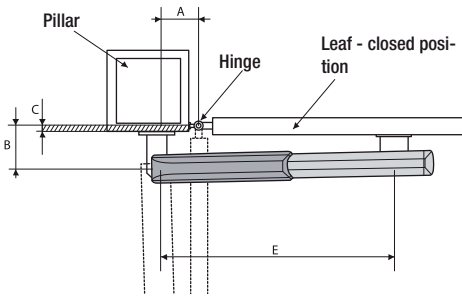
5.4 Standard installation



- | | |
|-------------------|-------------------|
| 1) Gearmotor | 5) Keyswitch |
| 2) Control panel | 6) Antenna |
| 3) Radio receiver | 7) Flashing light |
| 4) Photocells | 8) Transmitter |

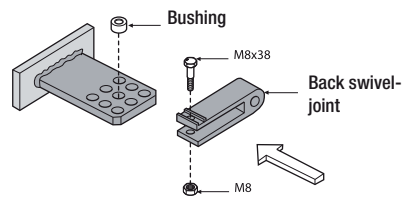
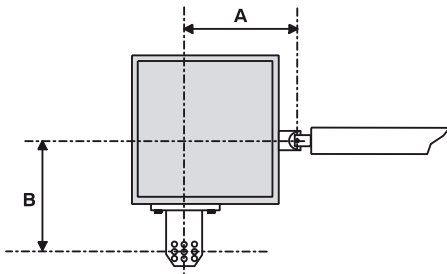
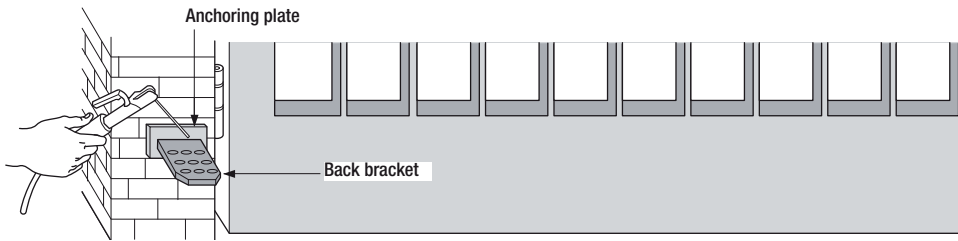
5.5 Mounting

! The following applications are only examples, in that the space available for fixing the operator and accessories varies depending on the dimensions. It is thus up to the installer to choose the most suitable solution.



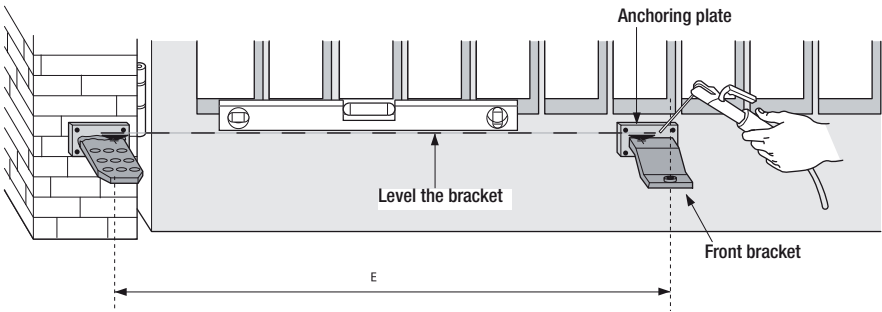
Tab. 3

Gate leaves < 3 m				
Opening	A mm	B mm	C < mm	E mm
90°	130	130	60	720
120°	130	110	50	720
Gate leaves < 5 m				
90°	200	200	120	920
120°	200	140	70	920

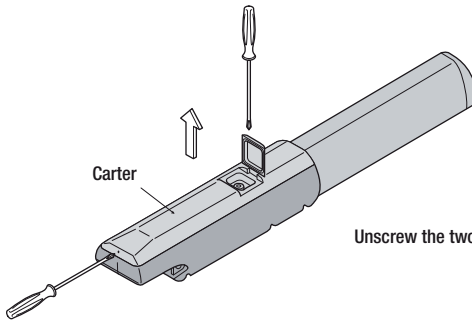


Apply the fixing plate to the post using the tail bracket, making sure that the values , A and B (tab. 3), are met between the hinge axis and the bracket's centre hole. The tail bracket is fitted with further holes to allow for variation of the gate's opening angle.

N.B.: increasing measurement B reduces the opening angle and thus the peripheral speed and increases the motor thrust on the gate leaf. Increasing measurement A increases the opening angle and thus the peripheral speed and reduces the motor thrust on the gate leaf.

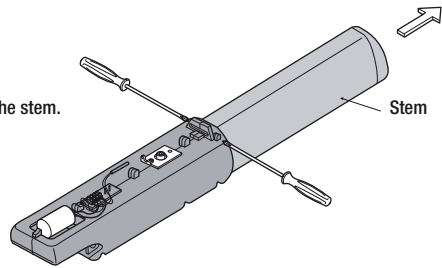


With the gate closed apply the anchoring plate to the gate leaf, making sure that the front bracket is lined up horizontally with the back bracket and ensuring that measurement E is met.

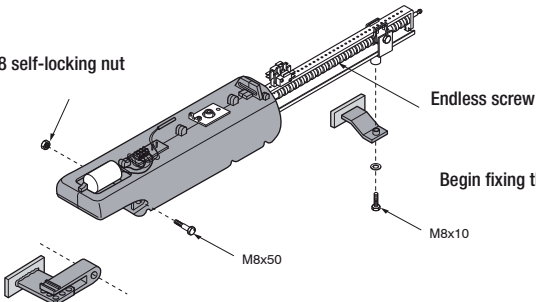


Unscrew the two screws and remove the carter.

Unscrew the two screws and remove the stem.



M8 self-locking nut

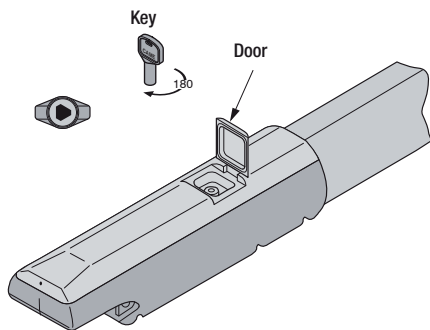


Begin fixing the gearmotor to the two brackets.

N.B.: upon installation we suggest lubricating (using a neutral grease) the endless screw and the bushing.

5.6 Release with customised key

Only for: A3000/A3006
A5000/A5006

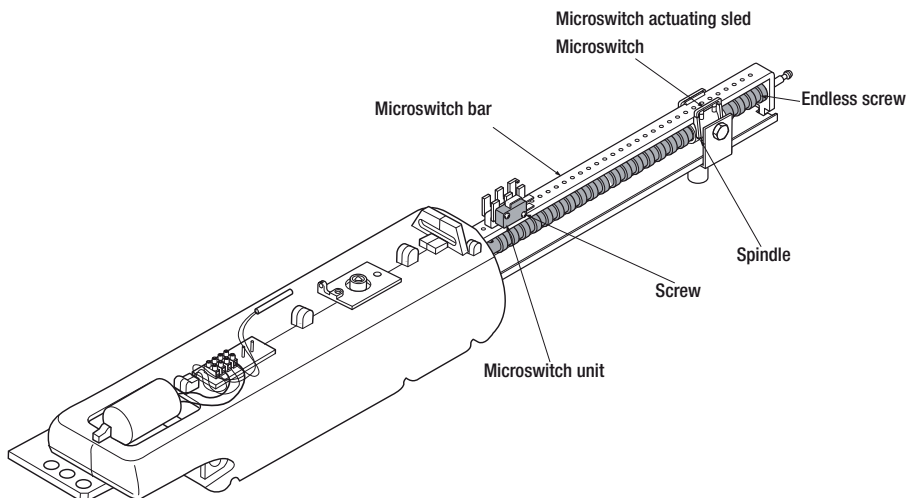


Release only with motor stopped:

- 1) raise the door;
- 2) insert and turn key which immediately releases door;
- 3) manually push or pull gate leaf.

To lock gate leaf again into place just insert key again and turn.

5.7 Adjusting opening STOP microswitch



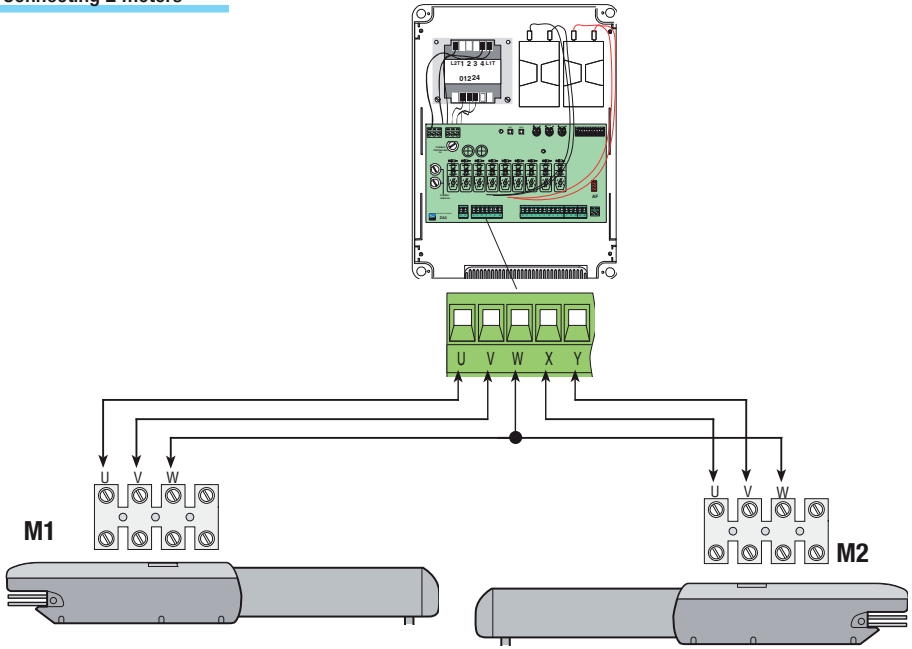
Release the gearmotor and set the gate leaf to the full opening position required.

Slide the microswitch unit on the microswitch sled until the same is inserted by making contact with the microswitch actuating sled.

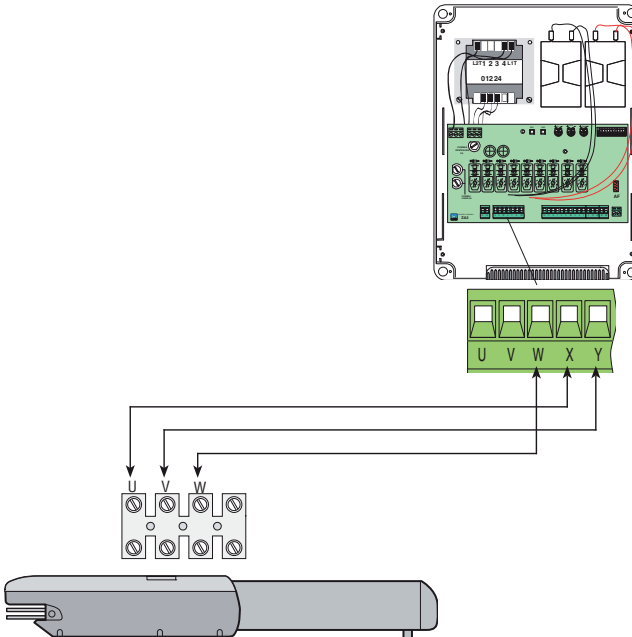
Secure the microswitch unit with the screws.

5.8 Connecting to the ZA3N/ZM3E control panels

Connecting 2 motors



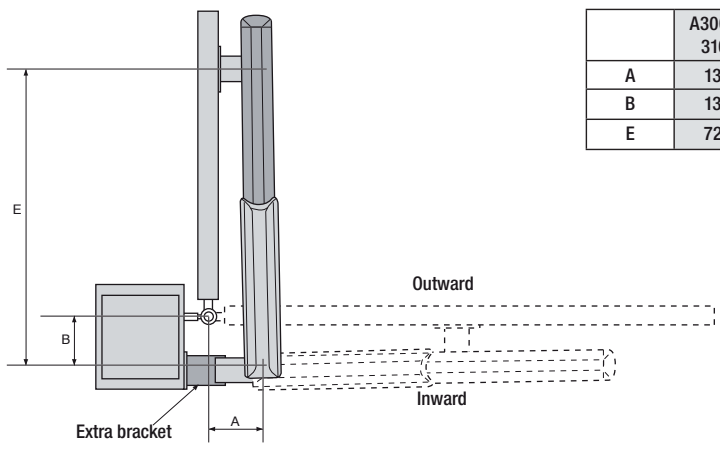
Connecting 1 motor



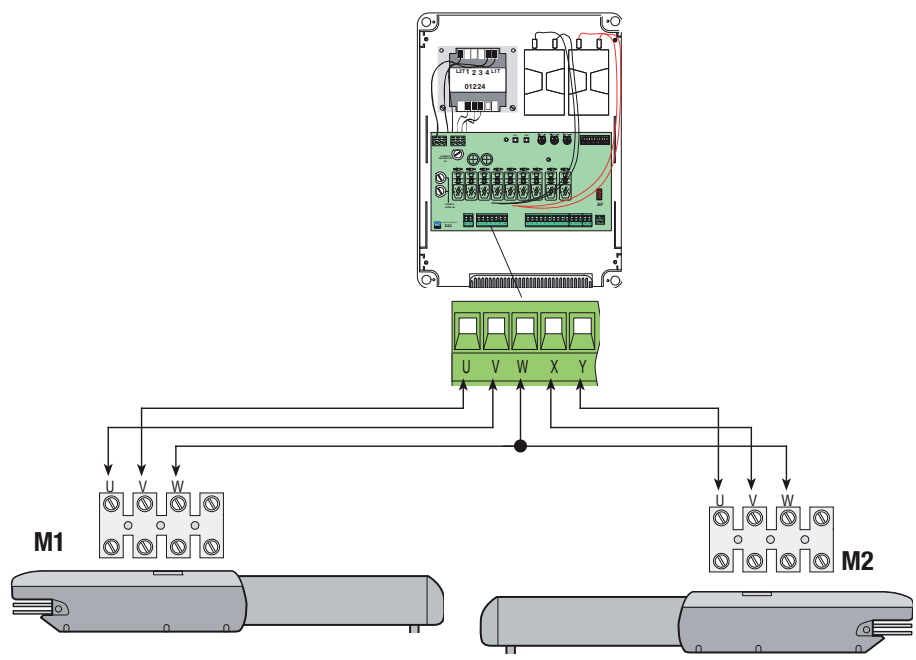
5.9 Application for outward opening

Tab. 4

	A3000-3006 3100-3106	A5000-5006 5100-5106
A	130 mm	200 mm
B	130 mm	200 mm
E	720 mm	920 mm



- Measure values A and B (Tab. 4)
- Secure the tail bracket to an extra bracket and apply to post.
- Open gate (max 90°), measure value E (Tab. 4) and secure head bracket to gate leaf.
- Perform electrical connections;
- Reposition and adjust openin stop microswitch.



7.2 Trouble shooting

MALFUNCTIONS	POSSIBLE CAUSES	CHECK AND REMEDIES
The gate will not open nor close	<ul style="list-style-type: none"> There is no power The gearmotor is released The transmitter's batteries are run down The transmitter is broken The stop button is either stuck or broken The opening/closing button or the keyswitch are stuck 	<ul style="list-style-type: none"> Check that the power is up Lock gearmotor (Chapt. 5.6) Replace batteries Call assistance Call assistance Call assistance
The gate opens but will not close	<ul style="list-style-type: none"> The photocells are engaged 	<ul style="list-style-type: none"> Check that photocells are clean and in good working order Call assistance
The flashing light does not work	<ul style="list-style-type: none"> The bulb is burnt 	<ul style="list-style-type: none"> Call assistance

8 Phasing out and disposal

 CAME CANCELLI AUTOMATICI S.p.A. employs a UNI EN ISO 14001 certified and compliant environmental protection system at its plants, to ensure that environmental safeguarding.

We ask you to keep protecting the environment, as CAME deems it to be one of the fundamental points of its market operations strategies, by simply following these brief guidelines when disposing:

DISPOSING THE PACKING MATERIALS

The packing components (cardboard, plastic, etc.) are solid urban waste and may be disposed of without any particular difficulty, by simply separating them so that they can be recycled.

Before actions it is always advisable to check the pertinent legislation where installation will take place.

DO NOT DISPOSE OF IN NATURE!

DISPOSING OF THE PRODUCT

Our products are made using different types of materials. The majority of them (aluminium, plastic, iron, electric cables) can be considered to be solid urban waste. They may be recycled at authorised firms.

Other components (electrical circuit board, remote control batteries etc.) may contain hazardous waste.

They must, thus, be removed and turned in to licensed firms for their disposal.

Before acting always check the local laws on the matter.

DO NOT DISPOSE OF IN NATURE!

DECLARATION OF CONFORMITY

Declaration CE CAME Cancelli Automatici S.p.A. declares that this device conforms to the essential, pertinent requirements provided by directives 2006/42/CE, 2004/108/CE.

An original copy of the declaration of conformity is available on request.



CAMEGROUP



IT • Per ogni ulteriore informazione su azienda, prodotti e assistenza nella vostra lingua:

EN • For any further information on company, products and assistance in your language:

FR • Pour toute autre information sur la société, les produits et l'assistance dans votre langue :

DE • Weitere Infos über Unternehmen, Produkte und Kundendienst bei:

ES • Por cualquier información sobre la empresa, los productos y asistencia en su idioma:

NL • Voor meer informatie over het bedrijf, de producten en hulp in uw eigen taal:

PT • Para toda e qualquer informação acerca da empresa, de produtos e assistência técnica, em sua língua:

PL • Wszelkie inne informacje dotyczące firmy, produktów oraz usług i pomocy technicznej w Waszym języku znajdują się na stronie:

RU • Для получения дополнительной информации о компании, продукции и сервисной поддержке на вашем языке:

HU • A vállalat, termékeire és a műszaki szervizre vonatkozó minden további információért az Ön nyelvén:

HR • Za sve dodatne informacije o poduzeću, proizvodima i tehničkoj podršci:

UK • Для отримання будь-якої іншої інформації про компанію, продукцію та технічну підтримку:

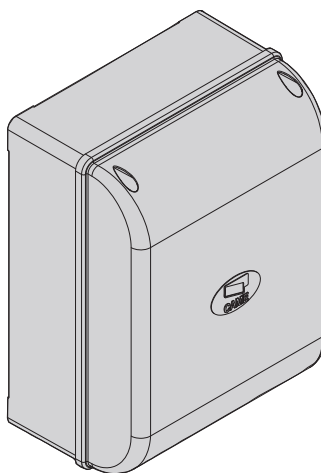


CE

CONTROL PANEL
FOR 230 V OPERATORS

319S63EN

Z
SERIES



INSTALLATION MANUAL

ZF1N



English

EN

"IMPORTANT INSTALLATION SAFETY INSTRUCTIONS"

"WARNING: IMPROPER INSTALLATION MAY RESULT IN SERIOUS HARM. PLEASE FOLLOW ALL INSTALLATION INSTRUCTIONS"

"THIS MANUAL IS INTENDED ONLY FOR PROFESSIONAL INSTALLERS OR OTHER COMPETENT INDIVIDUALS"



1 Legend of symbols



This symbol shows parts which must be read with care.



This symbol means the parts which describe safety issues.



This symbol tells you what to tell the end-user.

2 Intended use and limits to use

2.1 Intended use

The ZF1N control panel is suitable for swing gate operators of the ATI, FERNI, FAST, KRONO series that powered by 230 V.



Any installation and use other than that specified in this manual is forbidden.

2.2 Limits to use

The overall power load of the connected operator must not exceed 320 W.

3 Reference standards

Came Cancelli Automatici employs an ISO 9001:14001 certified quality management system and an ISO 14001 environmental management system. Came entirely engineers and manufactures in Italy.

This product is compliant with: *see statement of compliance.*

4 Description

Engineered and built entirely by Came Cancelli Automatici S.p.A.

Power supply 230 V AC on terminals L1 and L2. The control panel is protected by a 5 A fuse, while the low voltage accessories (24 V) are protected by a 3.15 A fuse.

Warning! The overall power of the 24 V accessories must not exceed 20 W.

All connections are protected by quick fuses, see table.

The card provides and controls the following functions:

- automatic closing after an opening command;
- maintained action command.

The available command modes are:

- opening/closing;
- total stop.

The photocells, after detecting an obstacle, may trigger:

- the reopening of the closing gate;
- a total stop.

Specific trimmers regulate:

- the working time for automatic closing;
- the delayed closing time of operator 2;
- the working time.

You can also connect:

- 12 V electro-lock
- gate open warning-lamp.

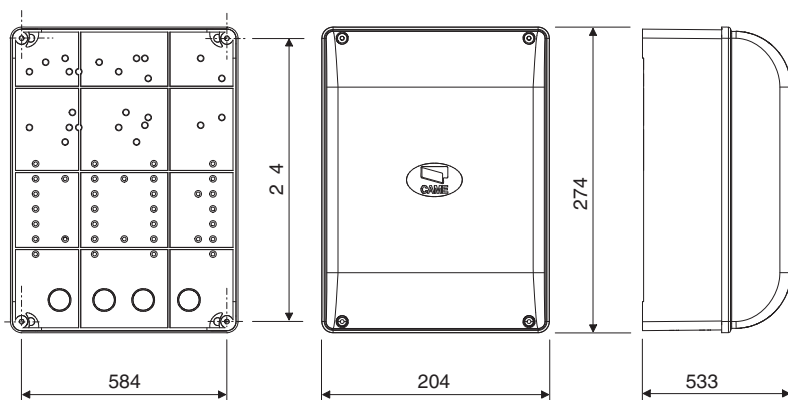
TECHNICAL DATA

Power supply	230 V - 50/60 Hz
Maximum allowed power load	320 W
Power draw when idle	40 mA
maximum power for 24 V accessories	20W
Circuit insulation class	□
Container material	ABS
Container protection rating	IP54
Working temperature	- 20 / +55°C

FUSE TABLE

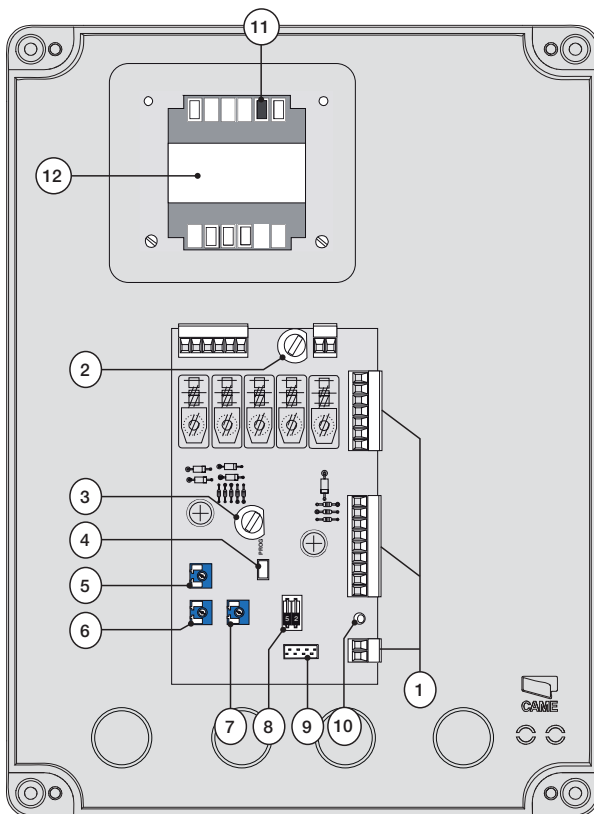
	to protect:	fuses for:
	Electronic board (line)	A 5
	Command devices and accessories (control unit)	3.15A

4.1 Dimensions



4.2 Main components

1. Connecting terminals
2. 5A line fuse
3. 3.15 A accessories fuse
4. Buttons to memorise radio code
5. Trimmer for adjusting the delay of operator 2
6. Working time adjuster trimmer
7. Automatic closing time adjuster trimmer
8. Functions selector
9. Radio frequency card socket
10. LED
11. Operator torque limiter
12. Transformer



⚠ Warning! Before acting on the equipment, cut off the main power supply and disconnect the emergency batteries (if present).

⚠ Connect the black wires protruding from the card onto condenser connectors.

5 Installation

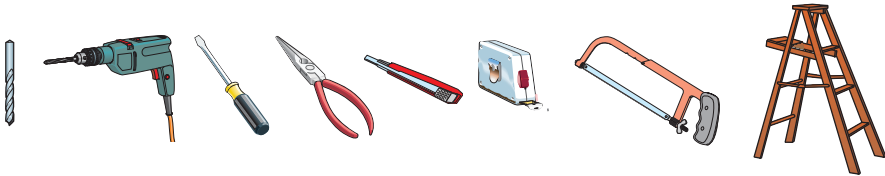
5.1 Preliminary checks

⚠ Before beginning to install, the following is necessary:

- Make sure that the point where the electrical panel is anchored is free from any impacts, and that the surface is solid and that proper tools and materials are used (i.e. screws, wall plugs, etc.).
- Set up a suitable omni polar cut-off device, with distances greater than 3 mm between contacts, with sectioned power source.
- ⚡ Check that any connections inside the container (made for continuity purposes of the protective circuit) are fitted with extra insulation compared to other internal conductive parts.
- Set up proper conduits and electric cable raceways, making sure these are protected from any mechanical damage.

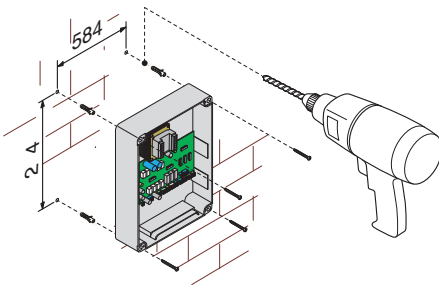
5.2 Tools and equipment

Make sure you have all the tools and materials needed to carry out the installation in total safety and in accordance with current regulations. Here are some examples.

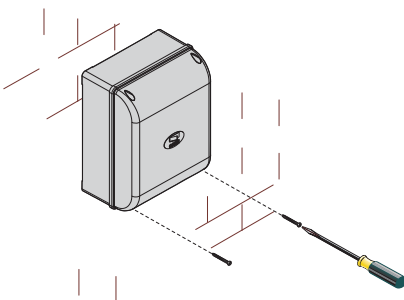


5.3 Fastening and mounting the container

1) Secure the base of the panel in a safe area; we suggest using bolts with max. diameter of 6 mm Philips rounded heads.



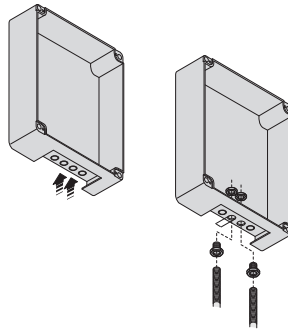
3) After adjusting and setting, secure the cover using the issued screws.



2) Perforate the marked holes and insert the cable glands with corrugated tubes for the electrical cables to run through.

N.B.: the pre-perforated holes have different diameters: 23, 29 and 37 mm.

Careful not to damage the electronic board inside the panel!!

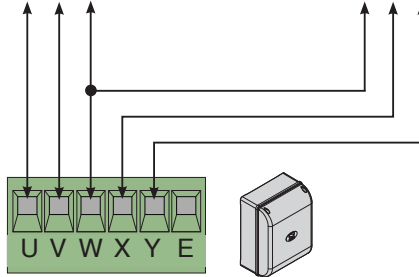


6 Electrical connections

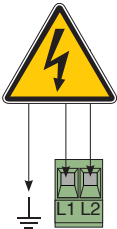
Operator

Operator 1 *delayed when opening*

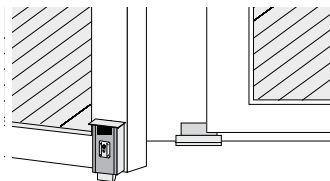
Operator 2 *delayed when closing*



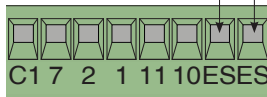
Power supply



Power supply to the
230V AC 50/60 Hz
control panel



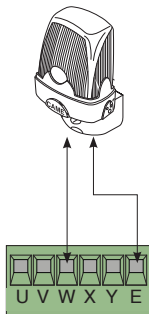
Terminals for powering the
24V AC accessories. Overall
allowed power: 20W



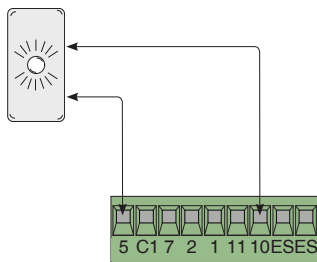
Electro lock connection (12V-15 W max.)

Warning devices

Flashing light (contact rated for: 230V AC - 25W Max.) Flashes while gate opens and closes.



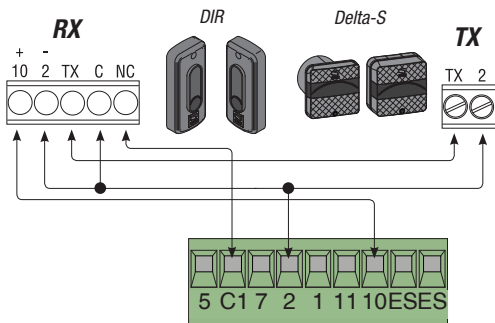
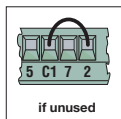
Gate open warning light Contact rated for: 24 V - 3 W Max.) Warns of open gate position, turns off when gate is closed.



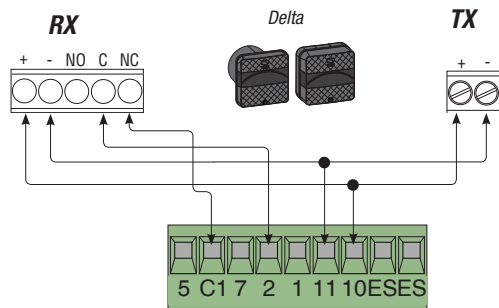
Safety devices

C1 = (N.C.) contact for reopening while closing
Input for safety devices like photocells, sensitive edges and other devices that comply with EN 12978 regulations. While the door is closing, opening the contact will invert movement until it is fully opened.

if unused, short-circuit contact 2-C1.



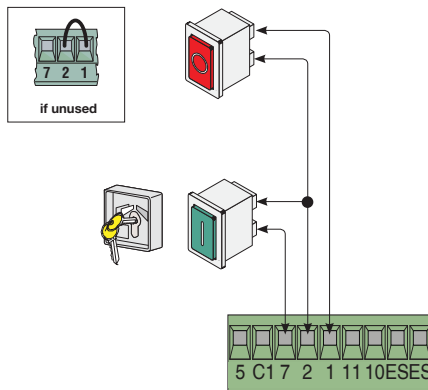
C1 = (N.C.) contact. for reopening while closing



Stop button (N.C. contact)

Gate stop button with exclusion of automatic closing, to resume movement press command button or transmitter button.

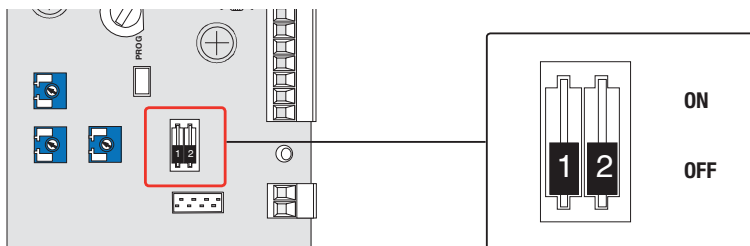
If unused, short-circuit contact 1-C2.



Key switch selector and/or command button (N.O. contact)

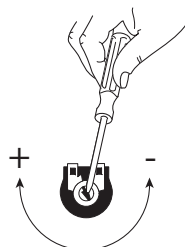
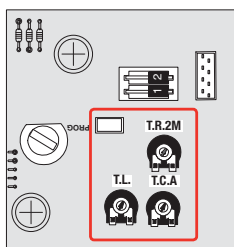
Commands for opening and closing, by pressing the button or turning the selector switch key.

7 Selecting functions



- 1 ON - Automatic closing activated; (10FF - deactivated)
- 2 ON - "Open-stop-close-stop" with (2-7) button and radio transmitter;
- 2 OFF - "Open-close" with button (2-7) and radio transmitter activated.

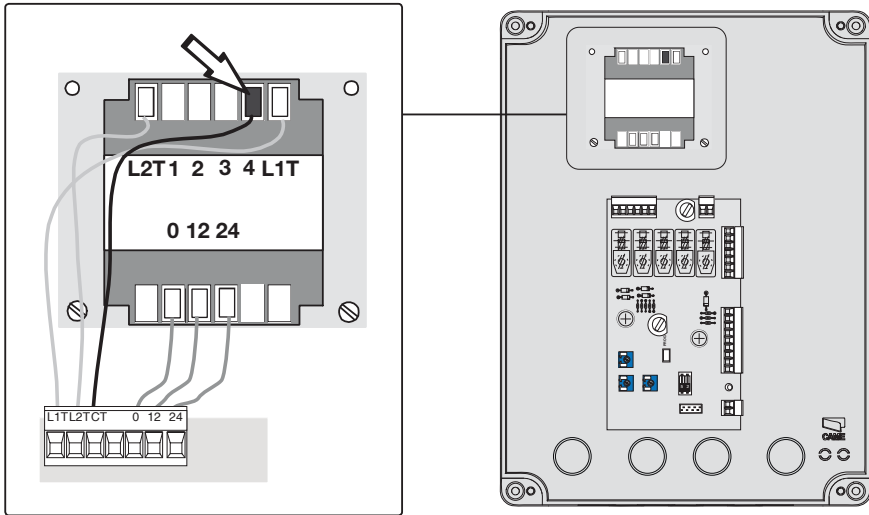
8 Settings



- Trimmer T.R.2M.** = Adjusting the delay of operator 2 from 1 minute to 10 seconds.
- Trimmer T.L.** = Adjusting the working time from 15 seconds to 120 seconds. (Note: adjusting the working time to the minimum will activate the "maintained action" function).
- Trimmer T.C.A.** = Adjusting automatic opening and closing times from 0 seconds to 120 seconds.

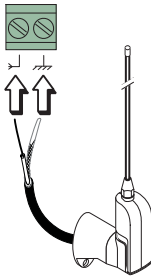
9 Motor torque limiter

To change motor torque, move the faston (the one with the black wire) to one of the four settings; 1 min. - 4 max.



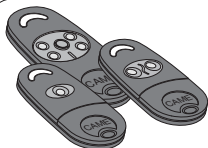
10 Activating the radio command

Antenna



Connect RG58 antenna cable to the apposite terminals.

Transmitters



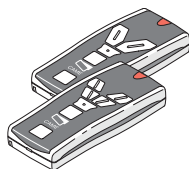
ATOMO
AT01 • AT02
AT04

see instruction sheet in the packaging
of the AF43SR radio-frequency card

see instructions on box

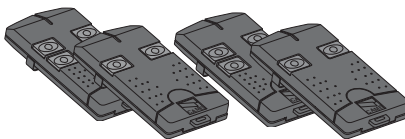
TOUCH

TCH 4024 • TCH 4048



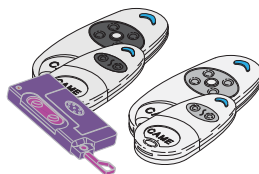
TOP

TOP-432A • TOP-434A
TOP-302A • TOP-304A



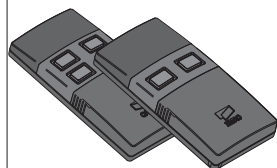
TOP

TOP-432NA • TOP-434NA
TOP-862NA • TOP 864NA
TOP-432S



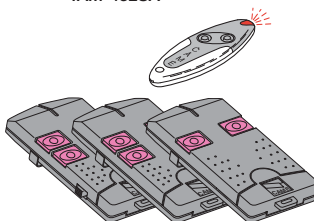
TWIN

TWIN 2 • TWIN 4



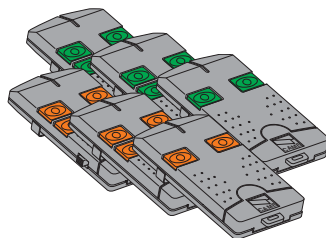
TAM

T432 • T434 • T438
TAM-432SA



TFM

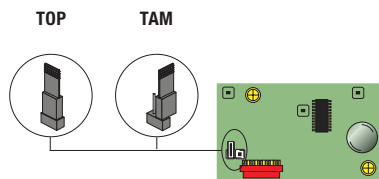
T132 • T134 • T138
T152 • T154 • T158



Radio frequency card

Only for the AF43S / AF43SM radio-frequency cards.

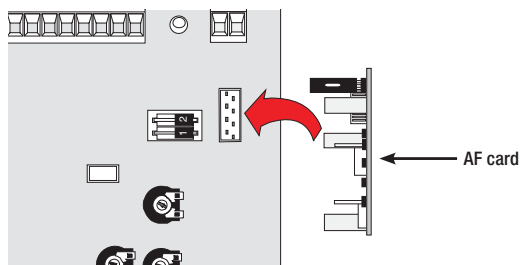
- position jumper as shown depending on the series of transmitters you are using.



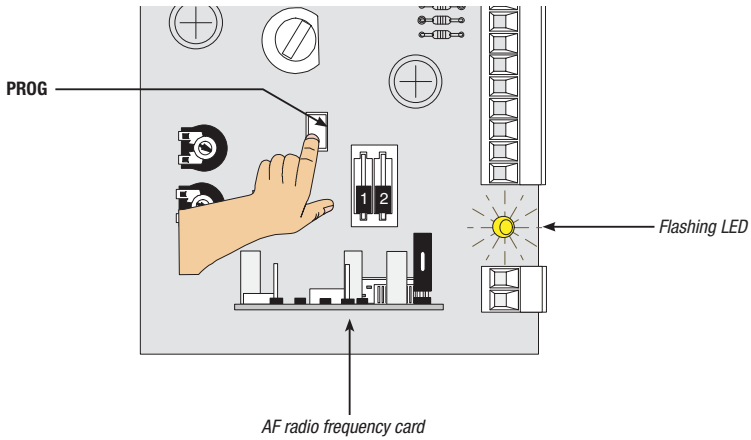
Frequency MHz	Card Radio-frequency	Series transmitters
FM 26.995	AF130	TFM
FM 30.900	AF150	TFM
AM 26.995	AF26	TOP
AM 30.900	AF30	TOP
AM 433.92	AF43S / AF43SM	TAM / TOP
AM 433.92	AF43TW	TWIN (KeyBlock)
AM 433.92	AF43SR	ATOMO
AM 40.685	AF40	TOUCH
AM 863.35	AF868	TOP

Plug in the radio-frequency card onto the electronic board AFTER CUTTING OFF THE MAIN POWER SUPPLY (and disconnecting the emergency batteries).

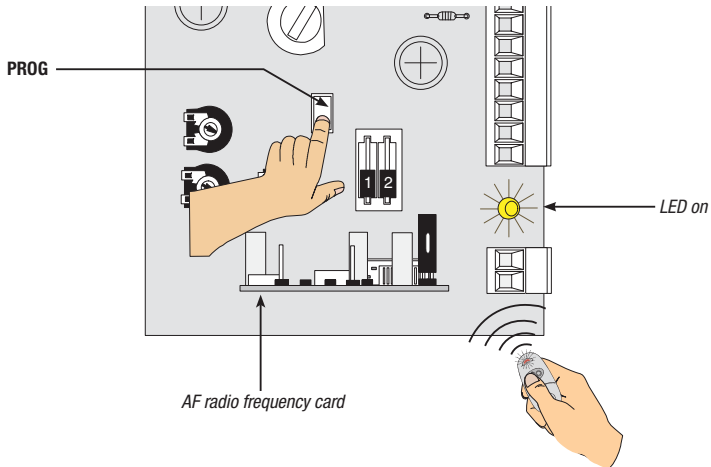
N.B.: The control board recognises the radio-frequency card only when it is powered up.



1) Keep pressed the "CH1" button on the control board (the LED light flashes).



2) The transmitter button sends the code, and the LED will stay on to signal that memorisation was successful.



N.B.: if you later wish to change code, repeat the sequence described.

11 Dismantling and disposal

On its premises, CAME Cancelli Automatici S.p.A. implements a certified Environmental Management System in compliance with the UNI EN ISO 14001 standard to ensure environmental protection. Please help us to safeguard the environment. At CAME we believe this to be one of the fundamentals of our market operations and development strategies. Just follow these short disposal instructions:



DISPOSING OF THE PACKAGING

The components of the packaging (i.e. cardboard, plastic, etc.) are solid urban waste and may be disposed of without much trouble, simply by separating them for recycling.

Before proceeding it is always a good idea to check your local legislation on the matter.

DO NOT DISPOSE OF IN NATURE!



PRODUCT DISPOSAL

Our products are made up of various materials. Most of these (aluminium, plastic, iron, electric cables) are solid urban waste. These can be disposed of at local solid waste management dumps or recycling plants.

Other components (i.e. electronic cards, transmitters batteries, etc.) may contain hazardous substances.

These must therefore be handed over to the specially authorised disposal firms.

Before proceeding it is always a good idea to check your local legislation on the matter.

DO NOT DISPOSE OF IN NATURE!

12 Compliance statement



MANUFACTURER'S STATEMENT

Pursuant to attachment II A of the Directive 2006/95/CE



CAME Cancelli Automatici S.p.A.
via Martiri della Libert , 15
31030 Dosson di Casier - Treviso - ITALY
tel (+39) 0422 4940 - fax (+39) 0422 4941
internet: www.came.it - e-mail: info@came.it

--- REGULATIONS ---
EN 60335-1 EN 61000-6
EN 60335-2 EN 61000-6
EN 13241-1

Declares under law that the following garage door and gate automation product called:

ZF1N

...comply with the essential requirements and pertinent provisions, established by the following Directives and also comply with the applicable parts of the reference Regulation standards listed below.

---DIRECTIVES---
2006/95/CE
2004/108/CE

LOW VOLTAGE DIRECTIVE
ELECTROMAGNETIC COMPATIBILITY DIRECTIVE

MANAGING DIRECTOR
Mr Gianni Michielan

Reference code to request an original copy: **DDC L EN Z002**