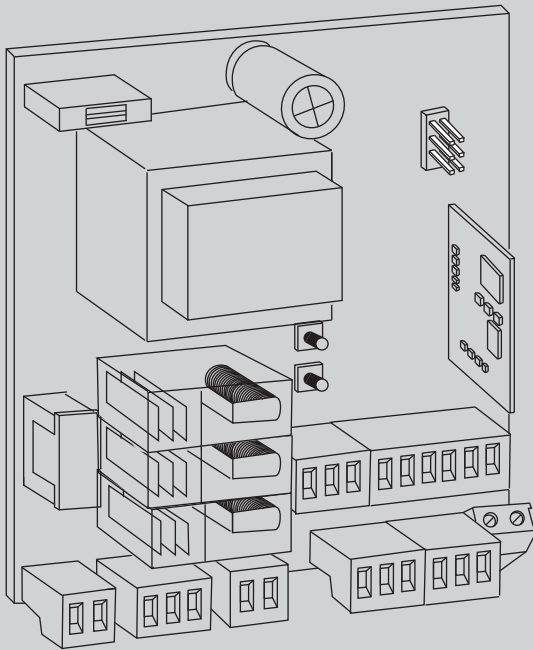




DS12090 00100\_04 06-10-16

QUADRO COMANDO  
CONTROL PANEL  
CENTRALE DE COMMANDE  
SELBSTÜBERWACHENDE STEUERUNG  
CUADRO DE MANDOS  
BEDIENINGSPANEEL



ISTRUZIONI DI INSTALLAZIONE  
INSTALLATION MANUAL  
INSTRUCTIONS D'INSTALLATION  
MONTAGEANLEITUNG  
INSTRUCCIONES DE INSTALACION  
INSTALLATIEVOORSCHRIFTEN

SHYRA AC SL / SHYRA AC SL 120  
SHYRA AC BA / SHYRA AC BA 120



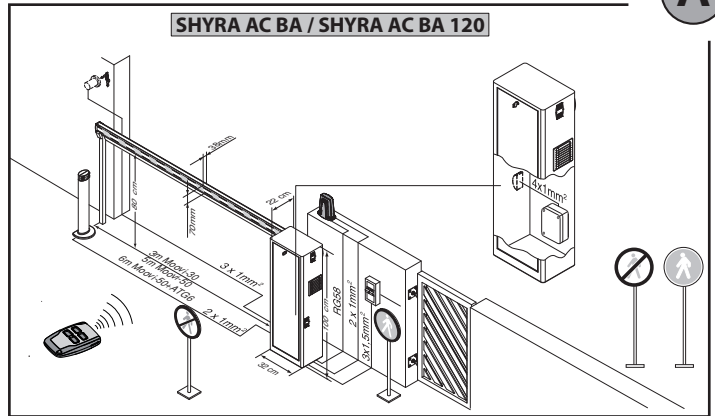
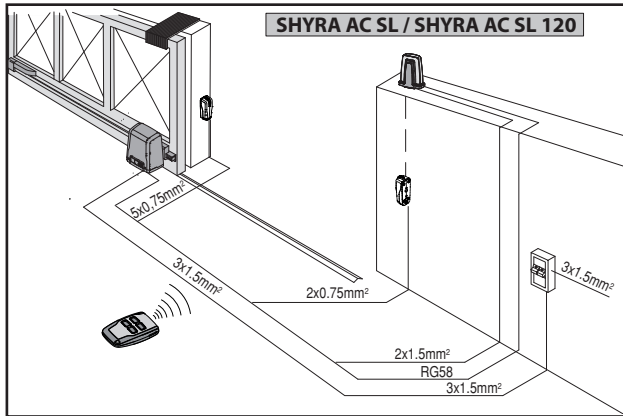
AZIENDA CON SISTEMA DI GESTIONE  
INTEGRATO CERTIFICATO DA DNV  
= UNI EN ISO 9001:2008 =  
UNI EN ISO 14001:2004

**Attenzione!** Leggere attentamente le "Avvertenze" all'interno! **Caution!** Read "Warnings" inside carefully! **Attention!** Veuillez lire attentivement les Avertissements qui se trouvent à l'intérieur!  
**Achtung!** Bitte lesen Sie aufmerksam die „Hinweise“ im Inneren! **¡Atención!** Leer atentamente las "Advertencias" en el interior! **Let op!** Lees de "Waarschuwingen" aan de binnenkant zorgvuldig!

# INSTALLAZIONE VELOCE-QUICK INSTALLATION-INSTALLATION RAPIDE SCHNELLINSTALLATION-INSTALACIÓN RÁPIDA - SNELLE INSTALLATIE

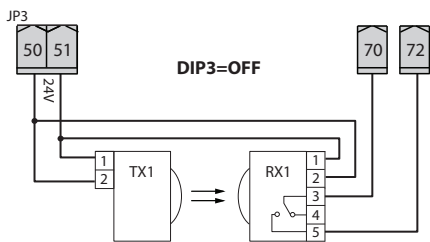
## PREDISPOSIZIONE TUBI, TUBE ARRANGEMENT, PRÉDISPOSITION DES TUYAUX, VORBEREITUNG DER LEITUNGEN, DISPOSICIÓN DE TUBOS, VOORBEREIDING LEIDINGEN.

**A**

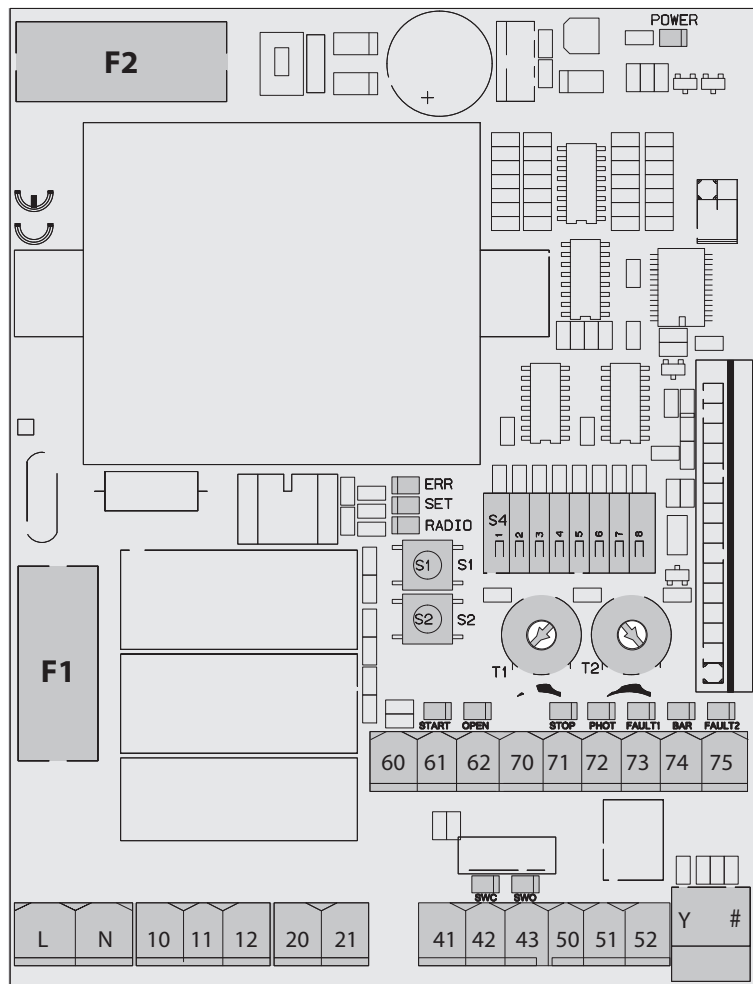


**B**

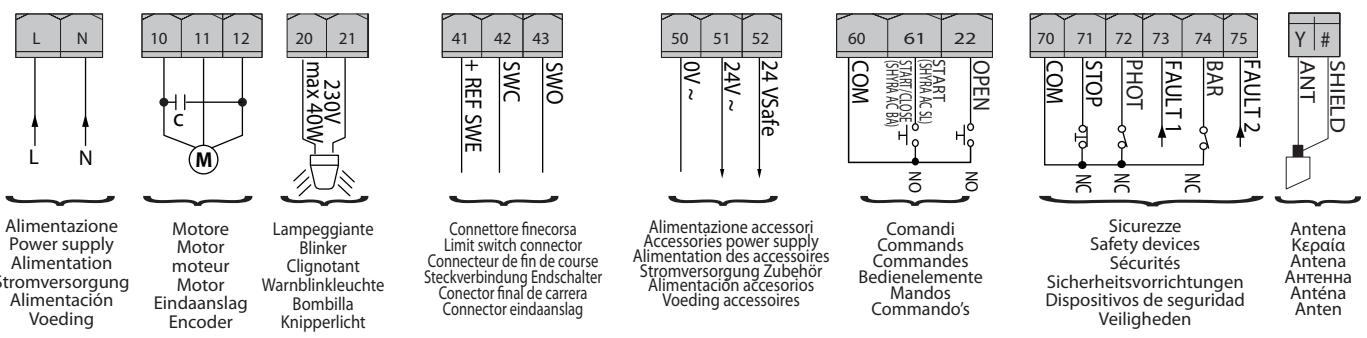
Collegamento di 1 coppia di fotocellule non verificate, per fotocellule verificate vedere pagine seguenti.  
 Connection of 1 couple of untested photocells, for tested photocells see the following pages.  
 Connexion d'une paire de photocellules non vérifiées, pour les photocellules vérifiées consultez les pages suivantes.  
 Anschluss von einem Paar nicht überprüfter Fotozellen, für überprüfte Fotozelle siehe die folgenden Seiten.  
 Conexión de 1 par de fotocélulas no comprobadas, para fotocélulas comprobadas véanse las siguientes páginas.  
 Aansluiting van 1 paar niet-geverifieerde fotocellen. Raadpleeg de volgende pagina's voor geverifieerde fotocellen.



**C**

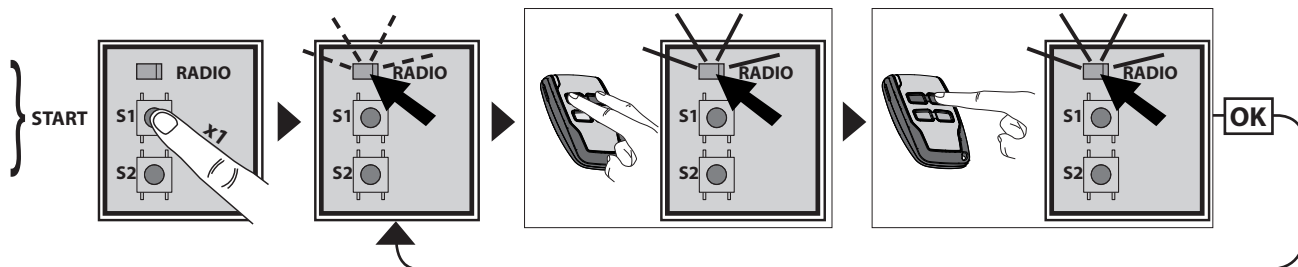


- F2** 100mAT (~ 230V)  
200mAT (~ 120V)
- F1** 3,15 AF (~ 230V)  
6,3 AF (~ 120V)



**MEMORIZZAZIONE RADIOCOMANDO/MEMORIZING REMOTE CONTROLS/MÉMORISATION RADIOCOMMANDE  
ABSPEICHERUNG DER FERNBEDIENUNG /MEMORIZACIÓN DEL RADIOMANDO/MEMORIZAÇÃO DO RADIOCOMANDO**

**D**



**LEGENDA - KEY - LÉGENDE - LEGENDE - LEYENDA - LEGENDA**



Fisso  
Steadily lit  
Fixe  
Ununterbrochen an  
Fijo  
Continu



Lampeggio continuo  
Continuous flashing  
Clignotement continu  
Kontinuierliches Blinken  
Parpadeo continuo  
Continu knippen

**SHYRA AC SL / SHYRA AC SL 120**

**E**

**1**

M	B	N	R
MARRONE	BLU	NERO	ROSSO
BROWN	BLUE	BLACK	RED
MARRON	BLEU	NOIR	ROUGE
BRAUN	BLAU	SCHWARZ	ROT
MARRÓN	AZUL	NEGRO	ROJO
BRUIN	BLAUW	ZWART	ROOD

verso di apertura: destra  
opening direction: right  
sens de l'ouverture : droite  
Öffnungsrichtung: rechts  
sentido de apertura: derecha  
openingsrichting: rechtsverso

**2**

M	B	N	R
MARRONE	BLU	NERO	ROSSO
BROWN	BLUE	BLACK	RED
MARRON	BLEU	NOIR	ROUGE
BRAUN	BLAU	SCHWARZ	ROT
MARRÓN	AZUL	NEGRO	ROJO
BRUIN	BLAUW	ZWART	ROOD

verso di apertura: sinistra  
opening direction: left  
sens de l'ouverture : gauche  
Öffnungsrichtung: links  
sentido de apertura: izquierda  
openingsrichting: links

**SHYRA AC BA / SHYRA AC BA 120**

**1**

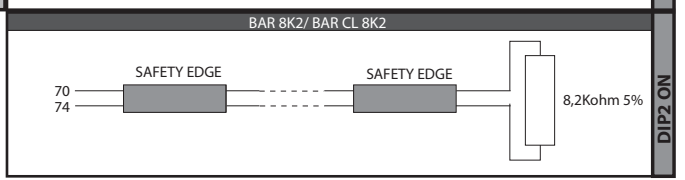
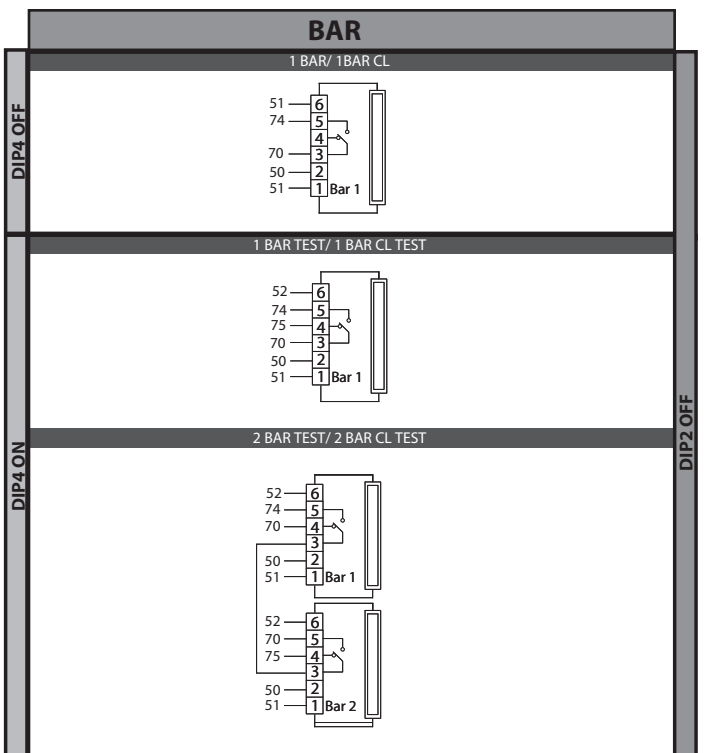
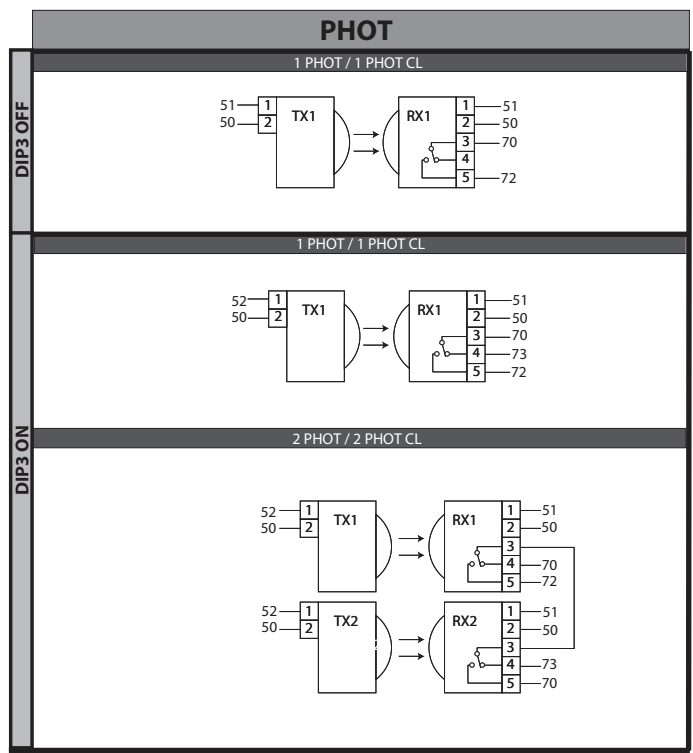
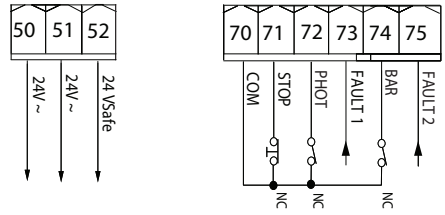
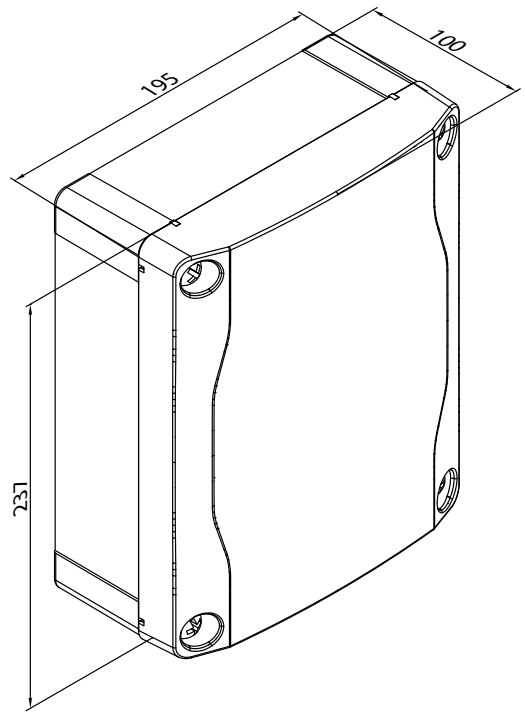
**MONTAGGIO ASTA DESTRA, ASSEMBLY OF RIGHT BOOM,  
MONTAGE DE LA BARRE DROITE, RECHTE MONTAGE DER STANGE,  
MONTAJE MÁSTIL DERECHO, MONTAGE RECHTERSTANG.**

M	B	N
MARRONE	BLU	NERO
BROWN	BLUE	BLACK
MARRON	BLEU	NOIR
BRAUN	BLAU	SCHWARZ
MARRÓN	AZUL	NEGRO
BRUIN	BLAUW	ZWART

**2**

**MONTAGGIO ASTA SINISTRA, ASSEMBLY OF LEFT BOOM,  
MONTAGE DE LA BARRE GAUCHE, LINKS MONTAGE DER STANGE,  
MONTAJE MÁSTIL IZQUIERDA, MONTAGE LINKSERSTANG.**

M	B	N
MARRONE	BLU	NERO
BROWN	BLUE	BLACK
MARRON	BLEU	NOIR
BRAUN	BLAU	SCHWARZ
MARRÓN	AZUL	NEGRO
BRUIN	BLAUW	ZWART



**1) GENERAL INFORMATION**

The **SHYRA AC SL / SHYRA AC BA** control panel comes with standard factory settings.

Any change must be set by means of the TRIMMER and DIP SWITCH settings.

Its main features are:

- Control of 1 single-phase motor
- Separate inputs for safety devices
- Built-in radio receiver rolling code with transmitter cloning.

The board has a terminal strip of the removable kind to make maintenance or replacement easier. It comes with a series of prewired jumpers to make the installer's job on site easier. **The jumpers concern terminals: 70-71, 70-72, 70-74. If the above-mentioned terminals are being used, remove the relevant jumpers.**

**TESTING**

The **SHYRA AC SL / SHYRA AC BA** panel controls (checks) the start relays and safety devices (photocells) before performing each opening and closing cycle. If there is a malfunction, make sure that the connected devices are working properly and check the wiring.

**2) TECHNICAL SPECIFICATIONS**

Power supply	120V 60Hz (SHYRA AC SL / SHYRA AC BA 120V) 220-230V 50/60 Hz (SHYRA AC SL / SHYRA AC BA 230V)
Panel dimensions	<b>Fig. F</b>
Low voltage/mains insulation	> 2MΩ 500V ---
Operating temperature range	-20 / +55°C
Dielectric rigidity	mains/LV 3750V~ for 1 minute
Accessories power supply	4V~ (demand max. 0,2A)
AUX 0 - Flashing Contact powered	120V~ 40W max (SHYRA AC SL / SHYRA AC BA 120V) 230V~ 40W max (SHYRA AC SL / SHYRA AC BA 230V)
Fuses	<b>Fig. C</b>
Built-in Rolling-Code radio-receiver	frequency 433.92MHz
Setting of parameters and logics	TRIMMER + DIP SWITCH
N° of combinations	4 billion
Max. n° of remotes that can be memorized	63
Pedestrian work time	8 s.
Maximum power	500W
Maximum work time	120s - SHYRA AC SL 10s - SHYRA AC BA

**Usable transmitter versions:**

**All ROLLING CODE transmitters compatible with ((ER-Ready)).**

**3) TUBE ARRANGEMENT Fig. A**

Install the electrical system referring to the standards in force for electrical systems CEI 64-8, IEC 364, harmonization document HD 384 and other national standards.

**4) TERMINAL BOARD WIRING Fig. C**

**For the electric diagram and the cross section of the cables refer to the manual of the actuator.**

Once suitable electric cables have been run through the raceways and the automated device's various components have been fastened at the predetermined points, the next step is to connect them as directed and illustrated in the diagrams contained in the relevant instruction manuals. Connect the live, neutral and earth wire (compulsory).

**WARNINGS** - When performing wiring and installation, refer to the standards in force and, whatever the case, apply good practice principles. Wires carrying different voltages must be kept physically separate from each other, or they must be suitably insulated with at least 1mm of additional insulation.

Wires must be secured with additional fastening near the terminals, using devices such as cable clamps. All connecting cables must be kept far enough away from dissipaters.

**WARNING! For connection to the mains power supply, use a multicore cable with a cross-sectional area of at least 3x1.5mm<sup>2</sup> of the kind provided for by the regulations in force.**

**To connect the motors, use a cable with a cross-sectional area of at least 1.5mm<sup>2</sup> of the kind provided for by the regulations in force.**

**The cable must be type H05RN-F at least.**

**5) SAFETY DEVICES**

**Note: only use receiving safety devices with free changeover contact.**

**5.1) TESTED DEVICES Fig. G****5.2) CONNECTION OF 1 PAIR OF NON-TESTED PHOTOCELLS FIG. B****WARNING!**

The values of the impact force according to EN 12453 are only observed with the use of safety edges (active) connected to the board.

**6) MEMORIZING TRANSMITTERS FIG. D****RADIO**

- **IMPORTANT NOTE: THE FIRST TRANSMITTER MEMORIZED MUST BE IDENTIFIED BY ATTACHING THE KEY LABEL (MASTER).**

In the event of manual programming, the first transmitter assigns the RECEIVER'S

KEY CODE: this code is required to subsequently clone the radio transmitters. The Clonix built-in on-board receiver also has a number of important advanced features:

- Cloning of master transmitter (rolling code or fixed code).
- Cloning to replace transmitters already entered in receiver.
- Transmitter database management.
- Receiver community management.

To use these advanced features, refer to the universal handheld programmer's instructions and to the general receiver programming guide.

**7) REVERSING THE OPENING DIRECTION (Fig.E)****8) ADJUSTMENT PROCEDURE**

- Before turning the unit on, check electrical connections.
- Set the following parameters:  
Automatic Closing Time,  
Work Time (for SHYRA AC SL only).
- Set the logics.

**WARNING! Incorrect settings can result in damage to property and injury to people and animals.**

**WARNING! Check that the force of impact measured at the points provided for by standard EN 12445 is lower than the value laid down by standard EN 12453.**

**KEYS**

KEYS	Description
<b>S1</b>	<b>Add Start Key</b> associates the desired key with the Start command.
<b>S2</b>	<b>Add Pedestrian Key (SHYRA AC SL)</b> associates the desired key with the pedestrian command.
	<b>Add Open key (SHYRA AC BA)</b> associates the desired key with the open command.
<b>S2 &gt; 5s</b>	Confirms the changes made to parameter settings and operating
<b>S1+S2 &gt; 10s</b>	<b>Erase List</b> <b>WARNING!</b> Erases all memorized transmitters from the receiver's memory.

**LED INDICATORS:**

<b>POWER</b>	Steadily lit: - Mains power on - Board powered - Fuses intact
<b>START</b>	Lit: START input activated
<b>OPEN</b>	Lit: OPEN pedestrian input activated
<b>STOP</b>	Unlit: STOP input activated
<b>PHOT</b>	Unlit: PHOT photocell input activated
<b>FAULT 1</b>	PHOT input safety device test input diagnostics
<b>BAR</b>	Unlit: BAR safety edge input activated
<b>FAULT 2</b>	BAR input safety device test input diagnostics
<b>SWC</b>	Unlit: leaf fully closed
	Lit: motor limit switch is disengaged
	Flashing: end of the work time while closing
<b>SWO</b>	Unlit: leaf fully open
	Lit: motor limit switch is disengaged
	Flashing: end of the work time while opening
<b>ERR</b>	Unlit: no error
	LIT: see error diagnostics table
<b>RADIO (GREEN)</b>	Unlit: remote programming not active
	Radio LED only flashing: Remote programming active, waiting for hidden key.
	Flashing in sync with Set LED: Transmitter deletion in progress
	Lit: remote programming active, waiting for desired key.
	Lit 1s: Radio receiver channel activated
<b>SET</b>	Lit: see error diagnostics table
	Flashing in sync with Radio LED: Transmitter deletion in progress

**TABLE ERR**

		Led ERR		
		Lit	slow flashing	fast flashing
Led SET	Unlit		<u>Photocell test.</u> Costa o Costa 8k2 failed - Check photocell connection and/or logic settings	
	Lit	<u>Reverse due to obstacle - Amperostop</u> - Check for obstacles in path		<u>Thermal cutout</u> - Allow automated device to cool
	slow flashing	<u>Internal system supervision control error.</u> - Try turning the board off and back on or press button S2. If the problem persists, contact the technical assistance department. <u>Thermal cutout</u> - Allow automated device to cool		Changed settings and/or Operating logics press S2 for 5s to confirm.

	Terminal	Definition	Description
Power supply	L	LINE	Single-phase power supply
	N	NEUTRAL	
Motor	10	START + CONDENSER	Motor and condenser connection
	11	COM	
	12	START + CONDENSER	
Aux	20	AUX 0 – POWERED CONTACT 230V (N.O.) (40W MAX)	Exit due to FLASHING LIGHT
	21		Contact stays closed while leaves are operating.
Limit switches	41	+REF SWE	Limit switch common
	42	SWC	Closing limit switch SWC (N.C.)
	43	SWO	Opening limit switch SWO (N.C.)
Accessories power supply	50	0V-	Accessories power supply output.
	51	24V+	
	52	24 Vsafe+	Tested safety device power supply output (photocell transmitter and safety edge transmitter). Output active only during operating cycle.
Commands	60	Common	START and OPEN inputs common
	61	START	<b>SHYRA AC SL</b> START command button (N.O.). Operation according to "Residential / apartment building operation" logic <b>SHYRA AC BA</b> If trimmer T2 at maximum: START command button (N.O.). Operation according to "Residential / apartment building operation" logic If trimmer T2 at minimum: CLOSE command button (N.O.). The command causes the device to close. If the input stays closed, the leaves stay open until the contact is opened.
	62	OPEN	OPEN command button (N.O.). Gate opened with this command. If the input stays closed, the leaves stay open until the contact is opened. When the contact is open, the automated device closes following the TCA time, where activated.




# INSTALLATION MANUAL

	Terminal	Definition	Description			
Safety devices	70	Common	STOP, PHOT and BAR inputs common			
	71	STOP	The command stops movement. (N.C.) If not used, leave jumper inserted.			
	72	PHOT (*)	PHOTOCELL input (N.C.). Operation according to "PHOTOCELL/PHOTOCELL DURING CLOSING" logic. If not used, leave jumper inserted.			
	73	FAULT 1	Test input for safety devices connected to PHOT.			
	74	BAR / BAR CL / BAR TEST / BAR CL TEST / BAR 8K2 / BAR CL 8K2 (*)	Safety edge input (N.C.). If not used, leave jumper inserted			
			BAR/8K2 dip	Safety edge check dip	Safety edge operation dip	
			OFF	OFF	OFF	NC input, no verification, reversal while opening and closing ( <b>BAR</b> )
			OFF	OFF	ON	NC input, no verification, reversal only when closing, stop when opening ( <b>BAR CL</b> )
OFF			ON	OFF	NC input, with verification, reversal while opening and closing ( <b>BAR TEST</b> )	
OFF			ON	ON	NC input, with verification, reversal only when closing, stop when opening ( <b>BAR CL TEST</b> )	
75	FAULT 2	Test input for safety devices connected to BAR / BAR CL				
Antenna	Y	ANTENNA	Antenna input. Use an antenna tuned to 433MHz. Use RG58 coax cable to connect the Antenna and Receiver.			
	#	SHIELD	Metal bodies close to the antenna can interfere with radio reception. If the transmitter's range is limited, move the antenna to a more suitable position.			

(\*) If "D" type devices are installed (as defined by EN12453), connect in unverified mode, foresee mandatory maintenance at least every six months.  
 (\*) In the European Union, apply standard EN 12453 for force limitations, and standard EN 12445 for measuring method.

### TABLE "A" - PARAMETERS

 Any modification of parameters/logics must be confirmed by pressing S2 > 5s

TRIMMER	Parameter	 min.	 max.	 default	Description
T1	Automatic closing time [s]	0	120	0	Waiting time before automatic closing. <b>NOTE: Set to 0 if not used.</b>
T2	Work time [s]	5	120	50%	<b>SHYRA AC SL</b> Sets the motor working time (from 0 to 90s), after which the motors stop. In the case where electrical limit switches are used, add a few extra seconds after the gate leaf stopping time.
					<b>SHYRA AC BA</b> Motor(s) work time set to 10 seconds. trimmer at minimum: input <b>60-61 CLOSE</b> . trimmer at maximum: input <b>60-61 START</b> .

### TABLE "B" - LOGICS

 Any modification of parameters/logics must be confirmed by pressing S2 > 5s

DIP	Logic	Default	Cross out setting used	Description
1	Transmitter programming	ON	ON	Enables wireless memorizing of transmitters: 1- Press in sequence the hidden key and normal key (T1-T2-T3-T4) of a transmitter that has already been memorized in standard mode via the radio menu. 2- Press within 10 sec. the hidden key and normal key (T1-T2-T3-T4) of a transmitter to be memorized. The receiver exits programming mode after 10 sec.; you can use this time to enter other new transmitters. This mode does not require access to the control panel. IMPORTANT: Enables the automatic addition of new transmitters, clones and replays.
			OFF	Disables wireless memorizing of transmitters and automatic addition of clones. Transmitters are memorized only using the relevant Radio menu or automatically with replays. IMPORTANT: Disables the automatic addition of new transmitters and clones
2	BAR / 8K2	OFF	ON	Input configured as Bar 8k2 (Fig.G). Input for resistive edge 8K2. The command reverses movement for 1 sec.
			OFF	Input configured as Bar, safety edge (Fig.G). The command reverses movement for 1 sec..
3	Photocell input check	OFF	ON	Enable safety check on the PHOT input. (Fig.G)
			OFF	Safety check on PHOT input not enabled. (Fig.G)
4	Edge input check	OFF	ON	Enable safety check on the BAR input. (Fig.G)
			OFF	Safety check on BAR input not enabled. (Fig.G)

# INSTALLATION MANUAL

D812090 00100\_04

DIP	Logic	Default	Cross out setting used	Description																																																						
5	Photocells during closing	OFF	ON	In the event beam is broken, photocell operation is disabled during opening. During closing, movement is reversed immediately.																																																						
			OFF	When beam is broken, photocells are active during both opening and closing. When beam is broken during closing, movement is reversed only once the photocell is cleared.																																																						
6	Safety edge input operation	OFF	ON	Safety edge with active reversal only when closing, when opening the movement stops																																																						
			OFF	Safety edge with active reversal in both directions																																																						
7	Fast closing	OFF	ON	<b>SHYRA AC SL</b> Closes 3 seconds after the photocells are cleared before waiting for the set TCA to elapse.																																																						
				<b>SHYRA AC BA</b> Closes 1 second after the photocells are cleared before waiting for the set TCA to elapse.																																																						
			OFF	Logic not enabled																																																						
8	Residential / apartment building operation	OFF	ON	<p>Sets the automation type of operation: ON = Apartment building</p> <p>Reaction to the <b>START</b> input (wired or radio):</p> <table border="1"> <thead> <tr> <th></th> <th>Residential</th> <th>Apartment building</th> </tr> </thead> <tbody> <tr> <td>CLOSED</td> <td>Opens</td> <td>Opens</td> </tr> <tr> <td>WHILE CLOSING</td> <td>Stops</td> <td>Opens</td> </tr> <tr> <td>OPEN</td> <td>Closes</td> <td>Closes</td> </tr> <tr> <td>WHILE OPENING</td> <td>STOPS + TCA</td> <td>No effect</td> </tr> <tr> <td>AFTER STOP</td> <td>Opens</td> <td>Opens</td> </tr> </tbody> </table> <p>Reaction to the <b>OPEN</b> input (wired):</p> <table border="1"> <thead> <tr> <th></th> <th>Residential</th> <th>Apartment building</th> </tr> </thead> <tbody> <tr> <td>CLOSED</td> <td>Opens</td> <td>Opens</td> </tr> <tr> <td>WHILE CLOSING</td> <td>Opens</td> <td>Opens</td> </tr> <tr> <td>OPEN</td> <td>No effect</td> <td>No effect</td> </tr> <tr> <td>WHILE OPENING</td> <td>Keeps it open</td> <td>Keeps it open</td> </tr> <tr> <td>AFTER STOP</td> <td>Opens</td> <td>Opens</td> </tr> </tbody> </table> <p>Reaction to the <b>PEDESTRIAN</b> input (radio):</p> <table border="1"> <thead> <tr> <th></th> <th>Residential</th> <th>Apartment building</th> </tr> </thead> <tbody> <tr> <td>CLOSED</td> <td>Opens partially</td> <td>Opens partially</td> </tr> <tr> <td>WHILE CLOSING</td> <td>Stops</td> <td>Opens partially</td> </tr> <tr> <td>OPEN</td> <td>Closes</td> <td>Closes</td> </tr> <tr> <td>WHILE OPENING</td> <td>STOPS + TCA</td> <td>No effect</td> </tr> <tr> <td>AFTER STOP</td> <td>Opens partially</td> <td>Opens partially</td> </tr> </tbody> </table>		Residential	Apartment building	CLOSED	Opens	Opens	WHILE CLOSING	Stops	Opens	OPEN	Closes	Closes	WHILE OPENING	STOPS + TCA	No effect	AFTER STOP	Opens	Opens		Residential	Apartment building	CLOSED	Opens	Opens	WHILE CLOSING	Opens	Opens	OPEN	No effect	No effect	WHILE OPENING	Keeps it open	Keeps it open	AFTER STOP	Opens	Opens		Residential	Apartment building	CLOSED	Opens partially	Opens partially	WHILE CLOSING	Stops	Opens partially	OPEN	Closes	Closes	WHILE OPENING	STOPS + TCA	No effect	AFTER STOP	Opens partially	Opens partially
				Residential	Apartment building																																																					
CLOSED	Opens	Opens																																																								
WHILE CLOSING	Stops	Opens																																																								
OPEN	Closes	Closes																																																								
WHILE OPENING	STOPS + TCA	No effect																																																								
AFTER STOP	Opens	Opens																																																								
	Residential	Apartment building																																																								
CLOSED	Opens	Opens																																																								
WHILE CLOSING	Opens	Opens																																																								
OPEN	No effect	No effect																																																								
WHILE OPENING	Keeps it open	Keeps it open																																																								
AFTER STOP	Opens	Opens																																																								
	Residential	Apartment building																																																								
CLOSED	Opens partially	Opens partially																																																								
WHILE CLOSING	Stops	Opens partially																																																								
OPEN	Closes	Closes																																																								
WHILE OPENING	STOPS + TCA	No effect																																																								
AFTER STOP	Opens partially	Opens partially																																																								
OFF	OFF = Residential																																																									